



Fields

The 'roof' element of an Umbris are called fields, numerous fields can connect together to create larger patio roofs. The field profile contains all motors, electrical components, drainage and louvres.

Material 4mm aluminium

External Field Dimensions 220mm tall, front/back 100mm wide, louvre connecting edge 175mm wide
Field Connection 250mm wide x 220mm tall, between fields

Colour PPC any RAL colour, 60-80 microns thick, UV stable finish, marine grade

Shape square and rectangular fields as standard, irregular shapes available on request

Louvres

The automated louvres are built into the roof fields and contain a built in water collection channel.

Material 4mm aluminium, reinforced

Dimensions 194mm wide x 35mm tall per louvre
Colour PPC any RAL colour, 60-80 microns thick, UV stable finish, marine grade. Dual Colour (different external frame and louvre colour) also available.

Rotation 0° to 120°

Roof Supports

An Umbris patio roof can be supported in numerous, bespoke ways depending on the type

of installation and is suitable for both building attached and free-standing installations.

Leg Supported Corner Legs / Offset Legs / Extended Leg, up to 7m span between supporting legs, maximum height 3m.

Louvre Panel Supported use framed automated or fixed louvres to support the Umbris roof field(s)

Cantilevered or Building Supported maximum unsupported projection 2000mm

Tie Rod Supported maximum projection from building 3000mm

Performance

Rainfall Intensity 144mm/minute

Wind Resistance 120km/h when louvres closed

Snow Load up to 120 kg/m²

Water Outlets

Allowing any water collected by the Umbris roof to drain easily and minimally away.

Field Integrated Spigot draining water directly from roof fields for installations without legs

Leg Water Outlet with Spigot draining water from leg supports with connectible spigot

Leg Water Outlet without Spigot free flow drainage from base of supporting leg

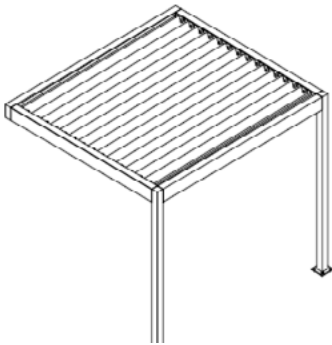
Maximum Sizes see page 3

Umbris Louvre Roof

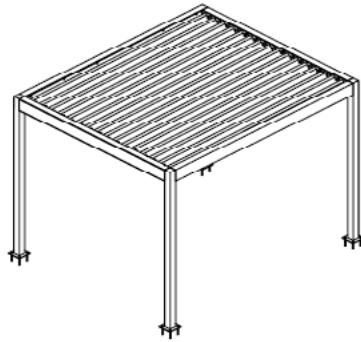
Roof Supporting Options

Updated June 2018

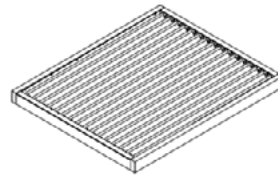
Building attached with corner posts



Freestanding

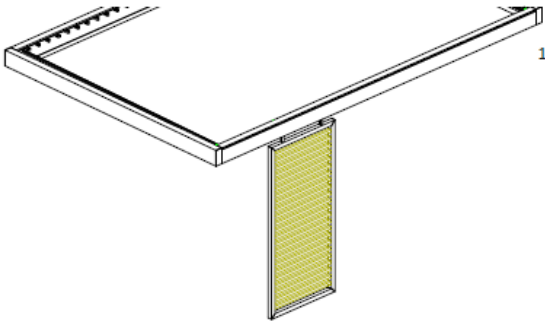


Building Integrated / Floating



Alternative Supporting Methods

Vertical Louvre Panel



Wooden cedar beams 38mm x 38mm, sanded as standard. Alternatively bespoke timber beams are available. Aluminium frame 60mm x 60mm
NOTE no water outlets are available in this supporting method



Offset / Set Back Corner Post



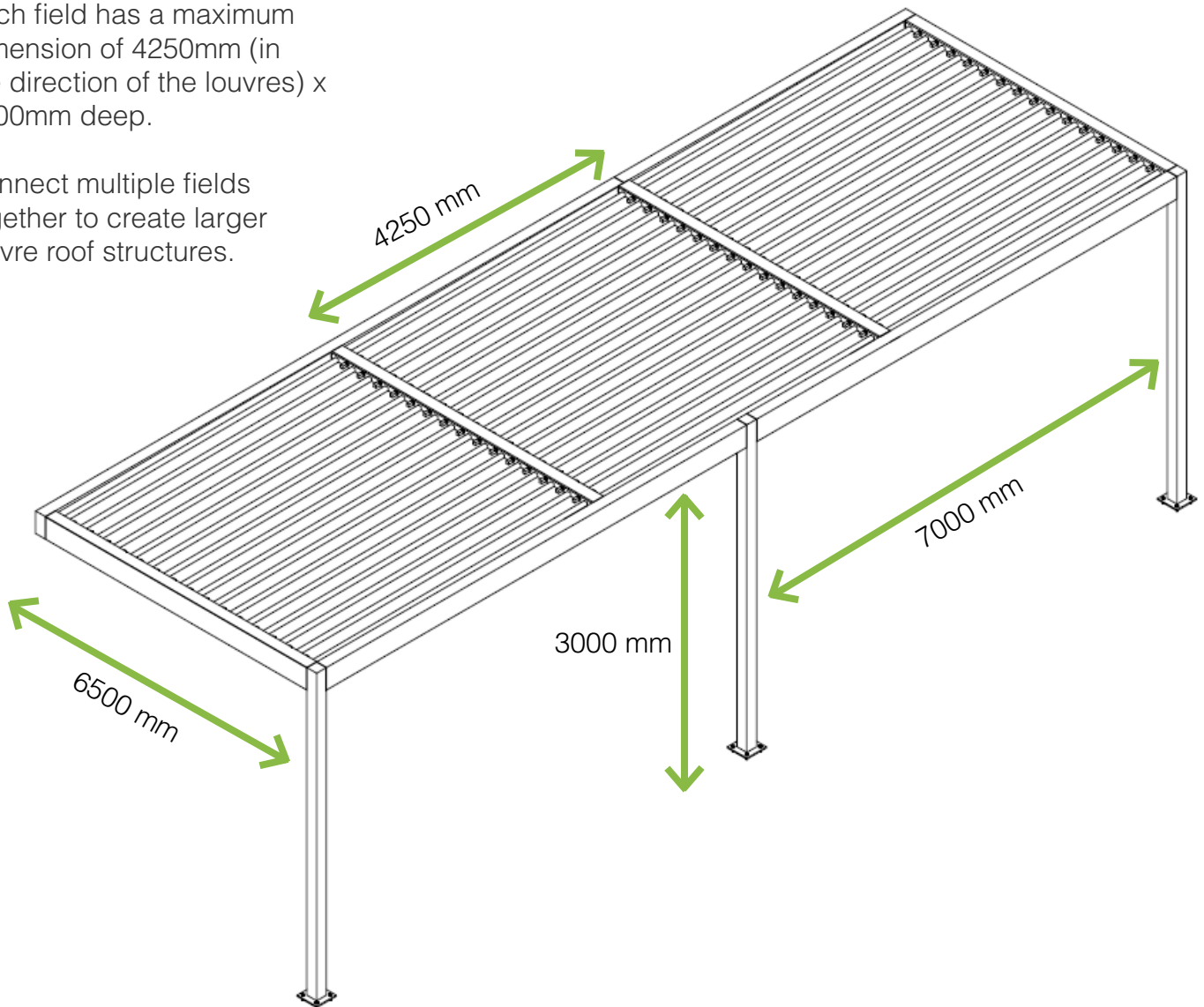
Umbris Louvre Roof

Maximum Sizes

Updated June 2018

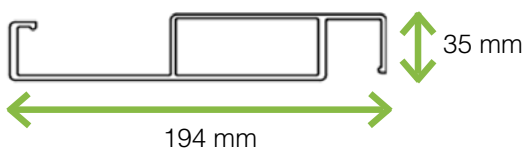
Each field has a maximum dimension of 4250mm (in the direction of the louvres) x 6500mm deep.

Connect multiple fields together to create larger louvre roof structures.

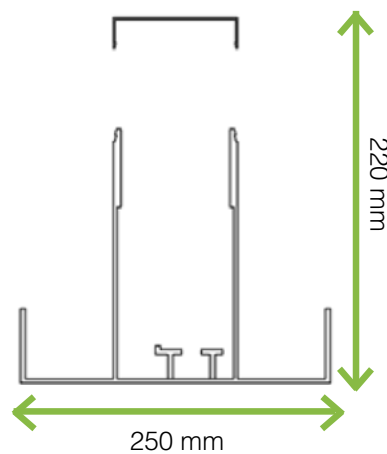


Element Dimensions

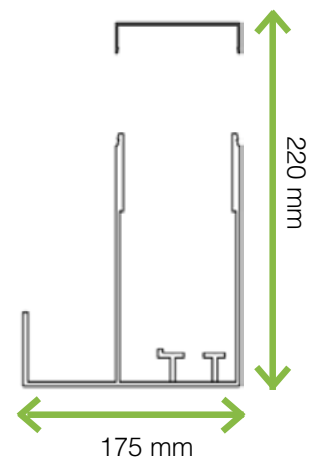
Reinforced Louvre



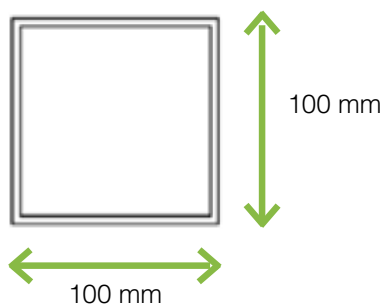
Multiple Field Connection



Louvre Connection Edge



Supporting Posts



Umbris Louvre Roof Water Drainage

Updated June 2018

Drainage Through Leg

Plate without Gargoyle



Plate with Gargoyle



Invisible fixing without Gargoyle



Invisible fixing with Gargoyle



Drainage Through Roof

Free Drainage

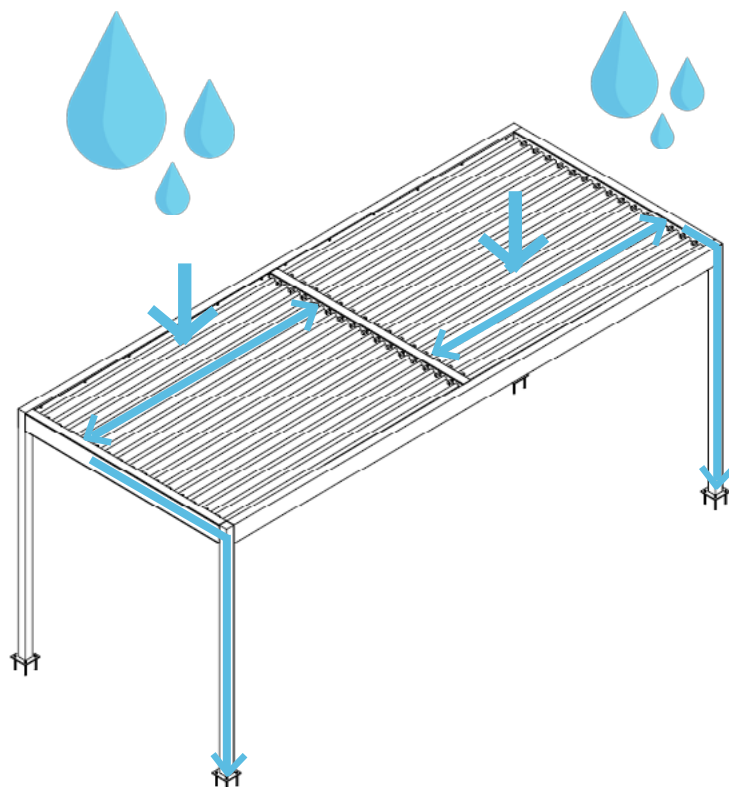


Chain Drainage



Drainage Diagram

When the louvres are closed the Umbris roof becomes fully watertight. Any rainfall onto the roof is drained to the external roof profile and then through the selected drainage solution (as above).



Umbris Louvre Roof

Additional Options

Updated June 2018

Lighting

Standard Spot Light



+ 8. LED lights 6 Watt, including dimmer function

Strip LED Lights (either in louvre or outer frame)



IP 68: fully waterproof
Integrated in Somfy RTS remote control
Dimmer function included
4 types of light (warmth):
2700 K / 3000 K / 4000 K / 6000 K

Pico Spot Light



Coated aluminium outer
Dimmer function included
Integrated in Somfy RTS remote control
Diameter = 35 mm

Speakers

Audiokit



Comfort = 2x 5 Watt speakers incl. 1 remote control
Professional = 4x 5 Watt speakers incl. 1 amplifier + 1 remote control

Optional Extras:
Additional 2.5" Speakers in Matt Chrome
Bluetooth Module
Additional Remote Controls

Sensors

Rain Sensor



Also Available:
Wind Sensor
Snow Sensor (Only available when specified in conjunction with a rain sensor)

Umbris Louvre Roof

Additional Weather Protection

Updated June 2018

Curtains

Outdoor curtains Sunbrella Velum (165 gr/m²) (incl. stainless steel cables for suspension)

Vertical Blinds

Wind Resistant Screens



Custom Elements

The advantage of an Umbris Louvre roof over alternative options is the ability for elements of the system to be bespoke/altered. If you have any custom requirements please let us know.



Umbris Louvre Roof

How to Specify an Umbris Louvre Roof

Umbris Louvre Roofs are the first choice for architects and designers all over the UK looking to create an outdoor living environment. If you would like to specify an Umbris Louvre Roof on your project just speak to the team at IQ who would be happy to assist.

Speak to the team at IQ

The team at IQ are the experts in our patio roof solutions. If you are considering using an Umbris Louvre Roof on your project speak to the team at IQ who will be able to advise you on the best solution for your intended design, ensure that all specification criteria are met and advise you on any feasibility areas of the installation you may not have considered.

Get a Quotation

We advise our customers to get a quotation for the installation from IQ. This allows us all to ensure that the preferred product and design is within budget. If it is not we can help you adjust the specification to reach all performance, design and budgetary requirements.

Add us to your NBS Specification

To assist you in specification we have created an NBS Specification for our Umbris Louvre Roofs. This is an easy to navigate document which contains all the vital information needed for specification. It is available for you to complete on your own. Alternatively ask your sales representative at IQ to complete this on your behalf.

Place the Order

When ready you (or your client or the builder) can then place the order for your Umbris Louvre Roof with us. A full in house handover will take place and your project will be passed to the contracts and design team. Once your project deposit is placed we will then undertake full design drawings for the installation. Please allow at least 20 working days for the design process.

The project will be appointed a dedicated contracts manager who will oversee the installation process. The estimated lead time for an Umbris Louvre Roof is 12 weeks but may be more for specialist installations. This will be confirmed on order.

Any Questions?

Contact the team at IQ who will be happy to help.

part of the IQ Group

www.iqoutdoorliving.co.uk

01494 722 880

Sky House Design Centre, Raans Road, Amersham, HP6 6JQ

hello@iqoutdoorliving.co.uk

